

TRANSDUCER T4311, T4411

**Programmable temperature transducer for RTD Pt1000
sensor with serial output RS232 and RS485**

Instruction manual

Instruction Manual for use of transducer: T4311 (RS232), T4411 (RS485)

Transducer is designed for temperature measurement at °C or °F by means of the external temperature probe with RTD Pt1000 sensor. It is built in a plastic case with the IP65 protection. Read this manual before the first transducer connection. Transducer T4311 communicates via link RS232, transducer T4411 via link RS485. Supported communication protocols are Modbus RTU, protocol compatible with standard Advantech-ADAM and ARION. Measured value is displayed on dual line LCD display. Display can be also switched OFF. Output link RS485 of transducer T4411 is **galvanic isolated**. Output link RS232 of transducer T4311 is **NOT** galvanic isolated. Please read instruction manual before the first device connection.

Use user's software *Tsensor* for setting of all device parameters (recommended). It is free to download at www.cometsystem.cz. It supports make the adjustment of the device too. This procedure is described at file „*Calibration manual.pdf*“ which is installed commonly with the software. Change of some parameters is possible to do without user's software with Windows hyperterminal (change of communication protocol, its parameters, LCD display setting). It is described in file “*Description of communication protocols of Txxxx series*” which is free to download at the same address.

Transducer setting from the manufacturer

If special setting was not required in the order, transducer is set from the manufacturer to the following parameters:

communication protocol:	Modbus RTU
transducer address:	01H
communication speed:	9600Bd, no parity, 2 stop bits
display:	switched ON

Transducer installation

Transducer is designed for wall mounting. There are two mounting holes at the sides of the case. Don't connect transducer while power supply voltage is on. Interconnection terminals are accessible after unscrewing four screws and removing the lid. Lace the cable through a gland at the case wall. Connect the cable to terminals with respecting the signal polarity (see figure). Terminals are self-clamping and can be opened by a suitable screwdriver. For the opening, insert the screwdriver to smaller terminal hole and lever by him. Do not forget to tighten glands and case lid with inserted packing after cables connecting. It is necessary for warranting of protection IP65. Working position is negligible.

External temperature probe should be of „shielded two-wire“ type. For leading of the cable same recommendations are valid as for current loop cable, i.e. cable should be located as far as possible from potential interference sources. Maximum probe cable length is 10 m. Connect probe cable shielding to proper terminal and do not connect it to any other circuitry and do not ground it. If connected probe is equipped with metal stem, we recommend to use probes with metal stem not connected to cable shielding. Or else it is necessary to arrange metal stem is not connected to any other circuitry.

Transducer T4311 is supplied with connection cable equipped with connector for connection to RS232 interface. For T4411 transducer (RS485) it is recommended to use shielded twisted copper cable (e.g. SYKFY). Outside diameter of the cable must be from 3 to 6.5 mm, maximal length 1200m. The cable must be located at indoor rooms.

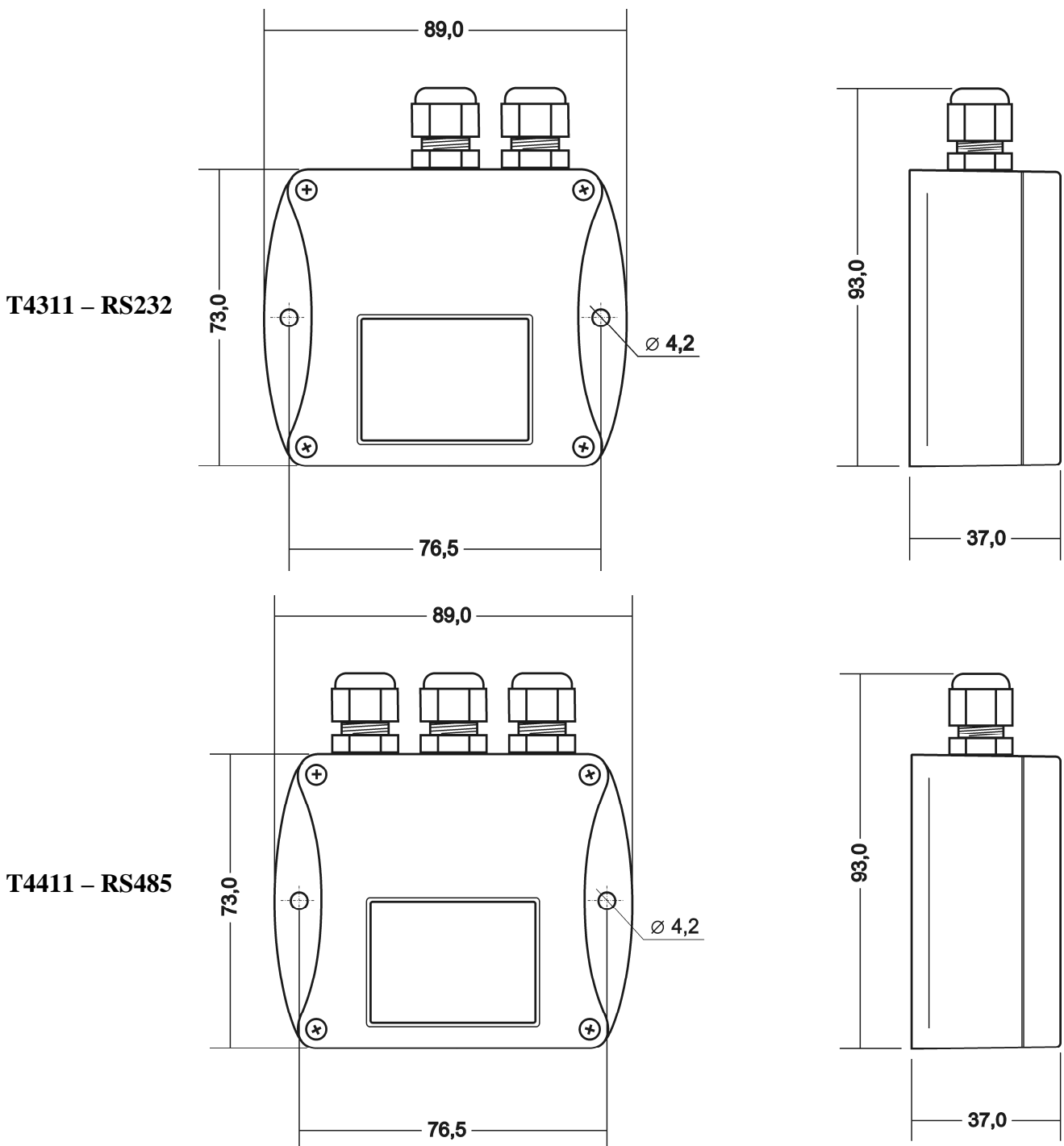
Nominal cable impedance should be $100\ \Omega$, loop resistance max. $240\ \Omega$, cable capacity max. $65\ \text{pF/m}$. Suitable cable is e.g. SYKFY $2 \times 2 \times 0,5\ \text{mm}^2$, where one wire pair serves for transducer powering and the other pair for communication link.

The cable should be led in one line, i.e. NOT to „tree“ or „star“. Termination resistor should be located at the end. For short distance other topology is allowed. Terminate the network by a termination resistor. The value of the resistor is recommended about $120\ \Omega$. For short distance termination resistor can be left out.

The cable should not be led in parallel along power cabling. Safety distance is up to $0,5\ \text{m}$, otherwise undesirable induction of interference signals can appear.

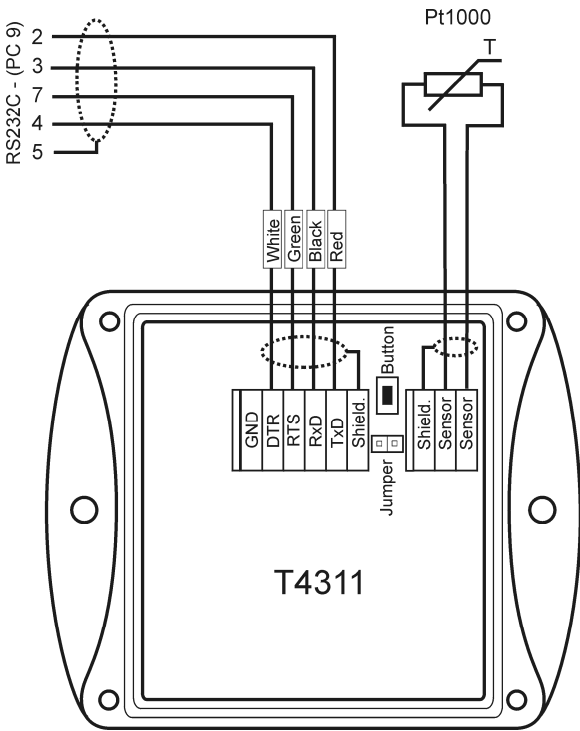
Electrical system (wiring) may do only worker with required qualification by rules in operation.

Dimensions

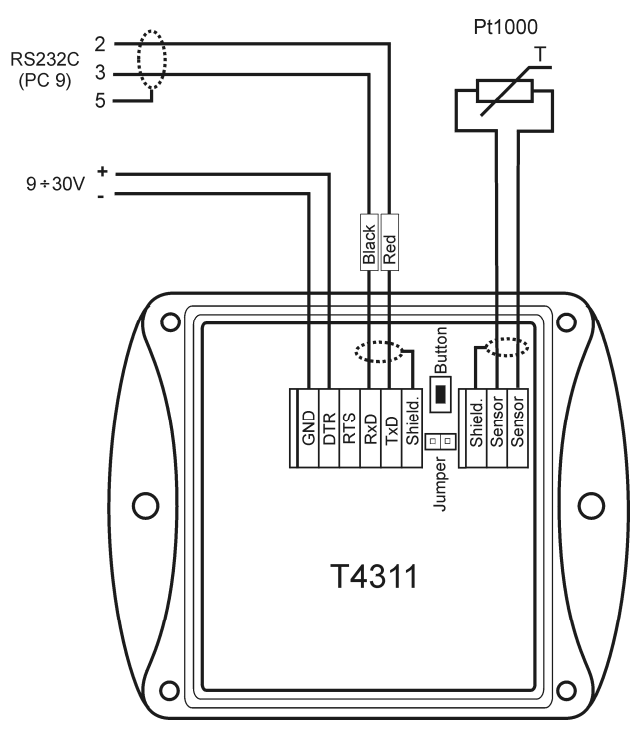


Typical application wiring, connection of terminals

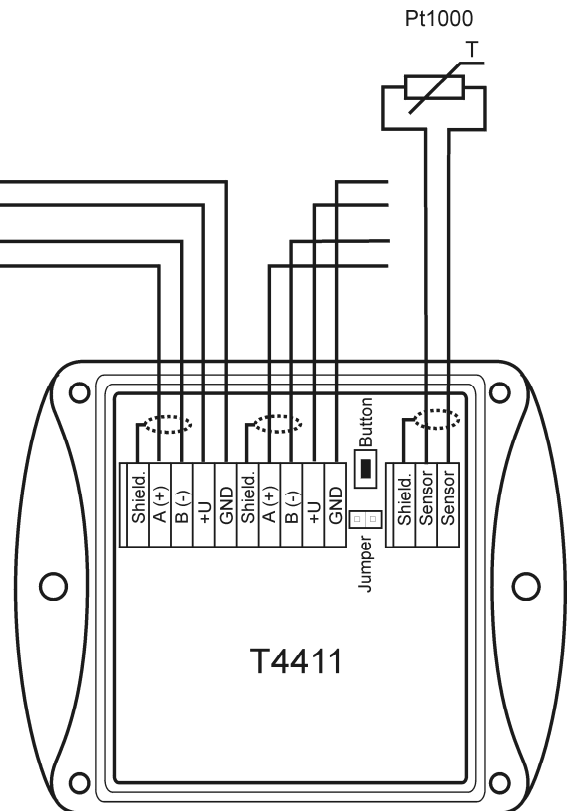
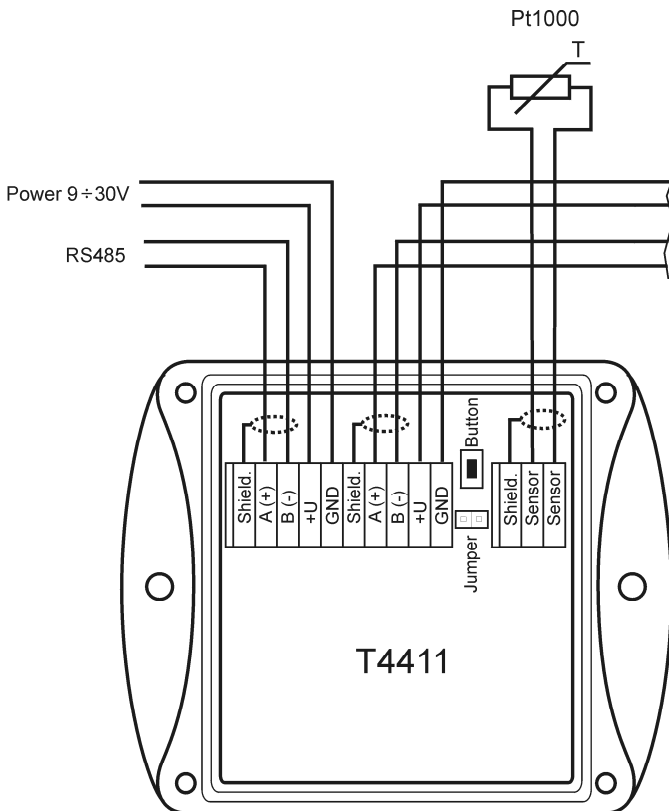
T4311 – power from communication port



T4311 – power from external voltage source



T4411 – RS485



Info mode

If in doubt of setting of installed transducer, verification of its address is enabled even without using computer. Power should be connected.

Unscrew transducer cover and shortly press button next to connection terminals (jumper must be open). Actual adjusted address of transducer is displayed at decimal code. Next press of button exits info mode and actual measured values are displayed.

Note: No measurement and communication is possible during info mode. If transducer stays in info mode for longer than 15 s, transducer automatically returns to measuring cycle.

Description of communication protocols

Detailed description of each communication protocols including examples of communication is available in individual document “*Description of communication protocols of Txxxx series*” which is free to download at www.cometsystem.cz.

Note: After switching ON the power of the device it can last up to 2 s before the device starts to communicate and measure!

Modbus RTU

Control units communicate on master-slave principle in half-duplex operation. Only master can send request and only addressed device responds. During sending of request no other slave station should respond. During communication, data transfer proceeds in binary format. Each Byte is sent as eight bit data word in format: 1 start bit, data word 8 bit (LSB first), 2 stop bits¹, without parity. Transmitter supports communication speed from 110Bd to 115200Bd.

Sent request and response have syntax: ADDRESS OF DEVICE – FUNCTION – Modbus CRC

Supported functions

03 (0x03): Reading of 16-bit registers (Read Holding Registers)

04 (0x04): Reading of 16-bit input gates (Read Input Registers)

16 (0x10): Setting of more 16-bit registers (Write Multiple Registers)

Jumper and button

Jumper and button are located next to connection terminals. If communication protocol Modbus is selected the function of jumper and button is as follows:

- Jumper opened – transmitter memory is protected from writing, from transmitter side it is only enabled to read measured value, writing to memory is disabled (no change of transmitter address, communication speed and LCD setting is enabled)
- Jumper closed – writing to transmitter memory is enabled by means of User’s software
- Jumper closed and button pressed for longer than six seconds – causes restoring of manufacturer setting **of communication protocol**, i.e. sets Modbus RTU communication protocol, device address sets to 01h and communication speed to 9600Bd (after button press there is “dEF” message blinking at LCD display. Six seconds later message “dEF” stays shown, it means manufacturer setting **of communication protocol** is done).
- Jumper opened and button shortly pressed – transmitter goes to Info mode, see chapter „*Info mode*“

¹ Transmitter sends two stop bits, for receive one stop bit is enough.

Modbus registers of the device

Variable	Unit	Address ^X	Format	Size	Status
Measured temperature	[°C]	0x0031	Int*10	BIN16	R
Address of transmitter	[-]	0x2001	Int	BIN16	R/W*
Code of communication speed	[-]	0x2002	Int	BIN16	R/W*
Serial number of transmitter Hi	[-]	0x1035	BCD	BIN16	R
Serial number of transmitter Lo	[-]	0x1036	BCD	BIN16	R
Version of Firmware Hi	[-]	0x3001	BCD	BIN16	R
Version of Firmware Lo	[-]	0x3002	BCD	BIN16	R

Explanation:

- Int*10 register is in format integer*10
- R register is designed only for reading
- W* register is designed for writing, for more details see chapter description of communication protocols
- ^X register addresses are indexed from zero – register 0x31 is physically sent as value 0x30, 0x32 as 0x31 (zero based addressing)

Note: In case there is a need for reading of measured values from transmitter with higher resolution than one decimal, measured values in transmitter are stored also in „Float“ format, which is not directly compatible with IEEE754.

Protocol compatible with Advantech-ADAM standard

Control units communicate on master-slave principle in half-duplex operation. Only master can send requests and only addressed device responds. During sending request any of slave devices should respond. During communication data is transferred in ASCII format (in characters). Each Byte is sent as two ASCII characters. Transmitter supports communication speed from 1200Bd to 115200Bd, parameters of communication link are 1 start bit + eight bit data word (LSB first) + 1 stop bit, without parity.

Jumper

Jumper is located next to connection terminals. If communication protocol compatible with standard Advantech-ADAM is selected, its function is the following:

- If jumper during switching ON the power is closed, transmitter always communicates with following parameters regardless stored setting in the transmitter:
communication speed 9600 Bd, without check sum, transmitter address 00h
- If jumper during switching ON the power is not closed, transmitter communicates in accordance with stored setting.
- If jumper is closed during transmitter operation, transmitter temporarily changes its address to 00h, it will communicate in the same communication speed as before closing jumper and will communicate without check sum. After jumper is opened setting of address and check sum is reset in accordance with values stored in transmitter.
- Communication speed and check sum are possible to change only if jumper is closed.
- Jumper closed and button pressed for longer than six seconds – causes restoring of manufacturer setting **of communication protocol**, i.e. sets Modbus RTU communication protocol, device address sets to 01h and communication speed to 9600Bd (after button press there is “dEF” message blinking at LCD display. Six seconds later message “dEF” stays shown, it means manufacturer setting **of communication protocol** is done).

ARION communication protocol - AMiT company

The device supports communication protocol ARiON version 1.00. For more details see file “Description of communication protocols of Txxxx series” or www.amit.cz.

Error states of the device

Device continuously checks its state during operation. In case error is found LCD displays corresponding error code:

Error 0

First line displays „Err0“.

Check sum error of stored setting inside device’s memory. This error appears if incorrect writing procedure to device’s memory occurred or if damage of calibration data appeared. At this state device does not measure and calculate values. It is a serious error, contact distributor of the instrument to fix.

Error 1

Measured value is over upper limit of allowed full scale range. There is a reading „Err1“ on LCD display. This state appears if measured temperature is higher than approximately 600°C (i.e. high non-measurable resistance of temperature sensor, probably opened circuit).

Error 2

There is a reading „Err2“ on LCD display. Measured value is below lower limit of allowed full scale range. This state appears if measured temperature is lower than approximately -210°C (i.e. low resistance of temperature sensor, probably short circuit).

Error 3

There is a reading „Err3“ on LCD display upper line.

Error of internal A/D converter appeared (converter does not respond, probably damage of A/D converter). No measurements proceed. It is a serious error, contact distributor of the instrument.

Readings on LCD display

°C, °F

Reading next to this symbol is measured temperature or error state of value.

symbol **3** near by left display margin

Is on if jumper is closed.

Technical parameters of the instrument:

RS 485 Interface:

Receiver-Input Resistance: 96 k Ω

Devices on bus: max. 256 (1/8 Unit Receiver Load)

Measuring parameters:

Temperature probe: Pt1000/3850 ppm connected by shielded cable of maximum length 10m

Measuring temperature range: -200 to +600 °C (can be limited by applied temperature probe model)

Resolution: 0.1 °C

Accuracy (without probe): ± 0.2 °C

Recommended calibration interval: 2 years

Measuring interval and LCD display refresh: 0.5 s

Power: 9 to 30 V dc

Protection: IP65

Operating conditions:

Operating temperature range: -30 to +80 °C, over +70°C switch LCD display OFF

Operating relative humidity range: 0 to 100 %RH

Outer influence in accordance with EN 33-2000-3: normal environment with those specifications: AE1, AN1, AR1, BE1

Working position: negligible

Electromagnetic compatibility: complies EN 61326-1

Not allowed manipulation

It is not allowed to operate the device under conditions other than specified in technical parameters. Devices are not designed for locations with chemically aggressive environment.

Storing conditions: temperature -30 to +80 °C, humidity 0 to 100 %RH without condensation

Dimensions: case with electronics 89 x 73 x 37 mm

Weight: approximately 200 g

Material of the case: ABS

End of operation

Device itself (after its life) is necessary to liquidate ecologically!

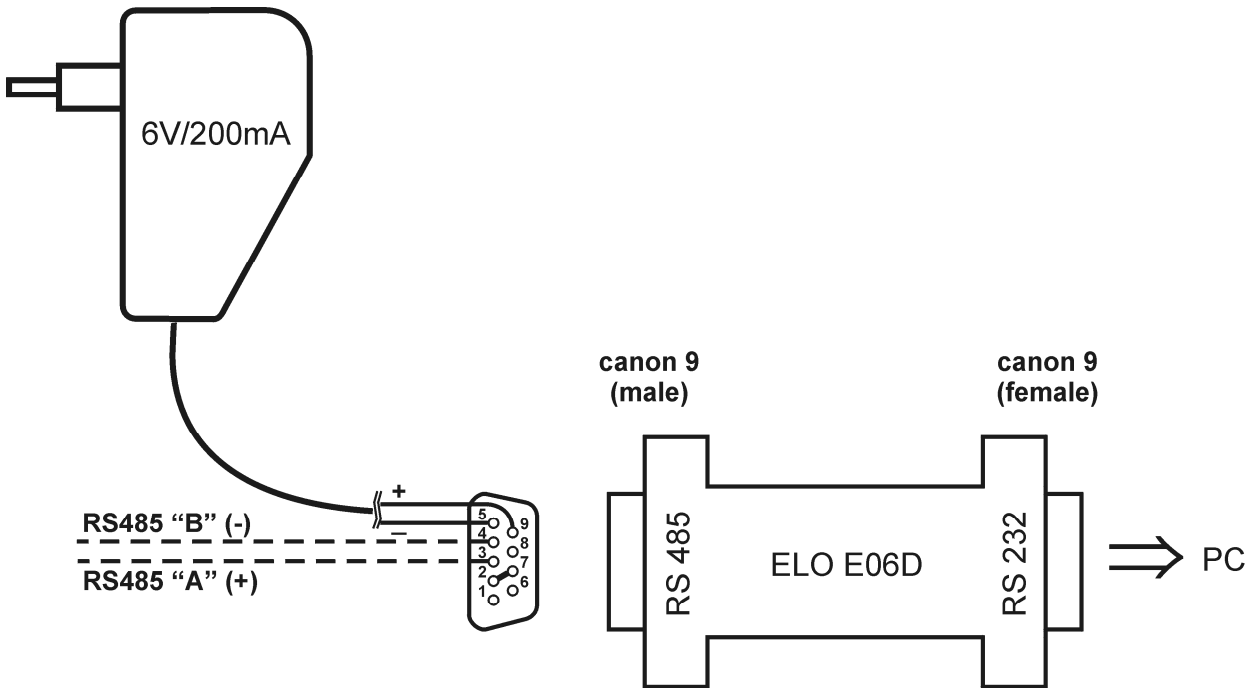
Technical support and service

Technical support and service is provided by distributor. For contact see warranty certificate.

Appendix A

Connection of ELO E06D converter (RS232/RS485)

(optionally accessory of the transducer T4411)



The ELO E06D converter is an optional accessory for connection of transducer/transducers with RS485 interface to the PC via serial port RS232. Connect connector marked RS232 directly to the PC, connect power to connector marked RS485. Power voltage **+6V DC** from an external acdc adapter connect **to pin 9**, **0V** connect **to pin 5**. Also mutually connect pin **2** and pin **7**. Link RS485 is connected across **pin 3 (A+)** and **pin 4 (B-)**.

Notes:

Notes:
